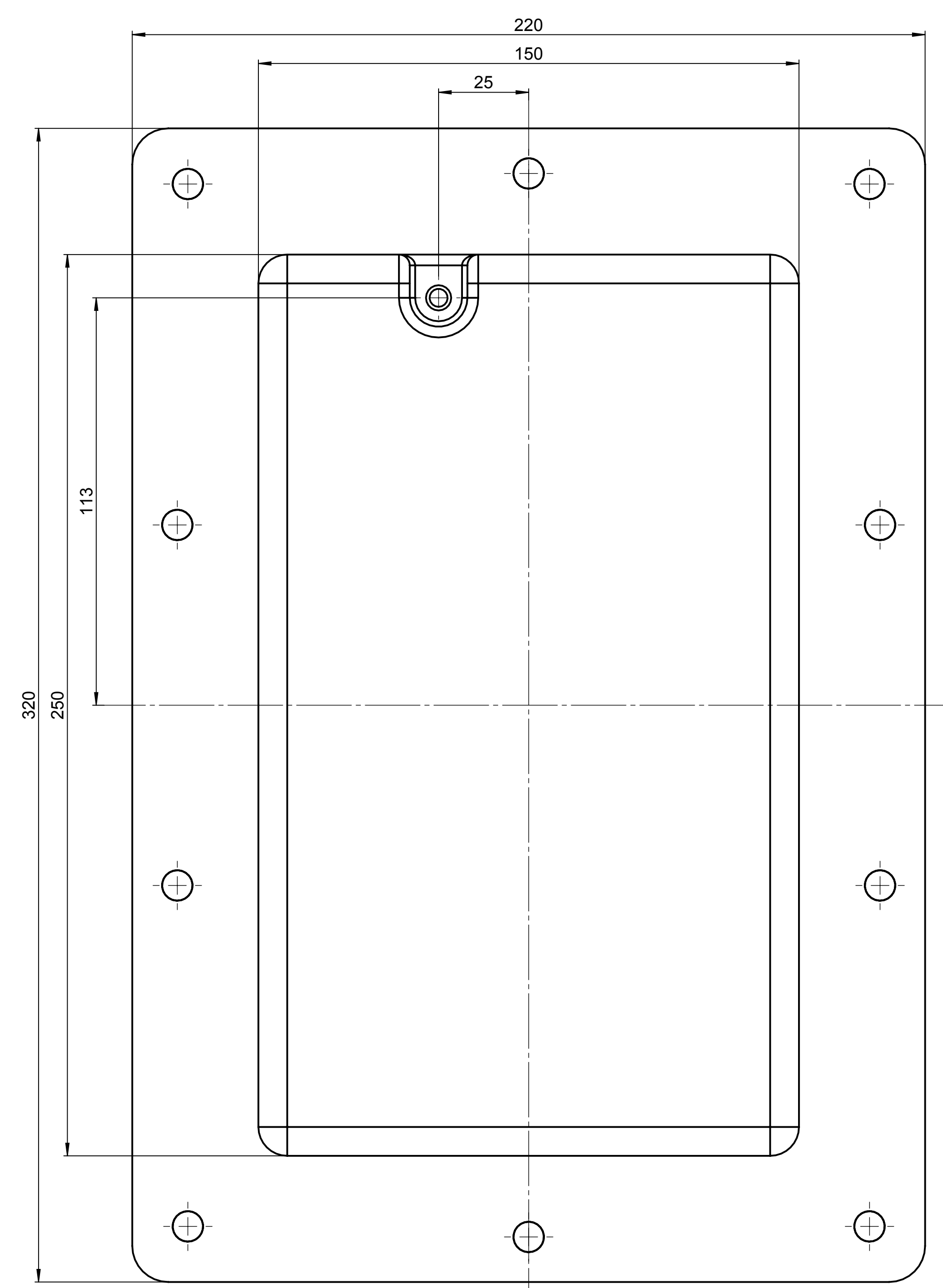
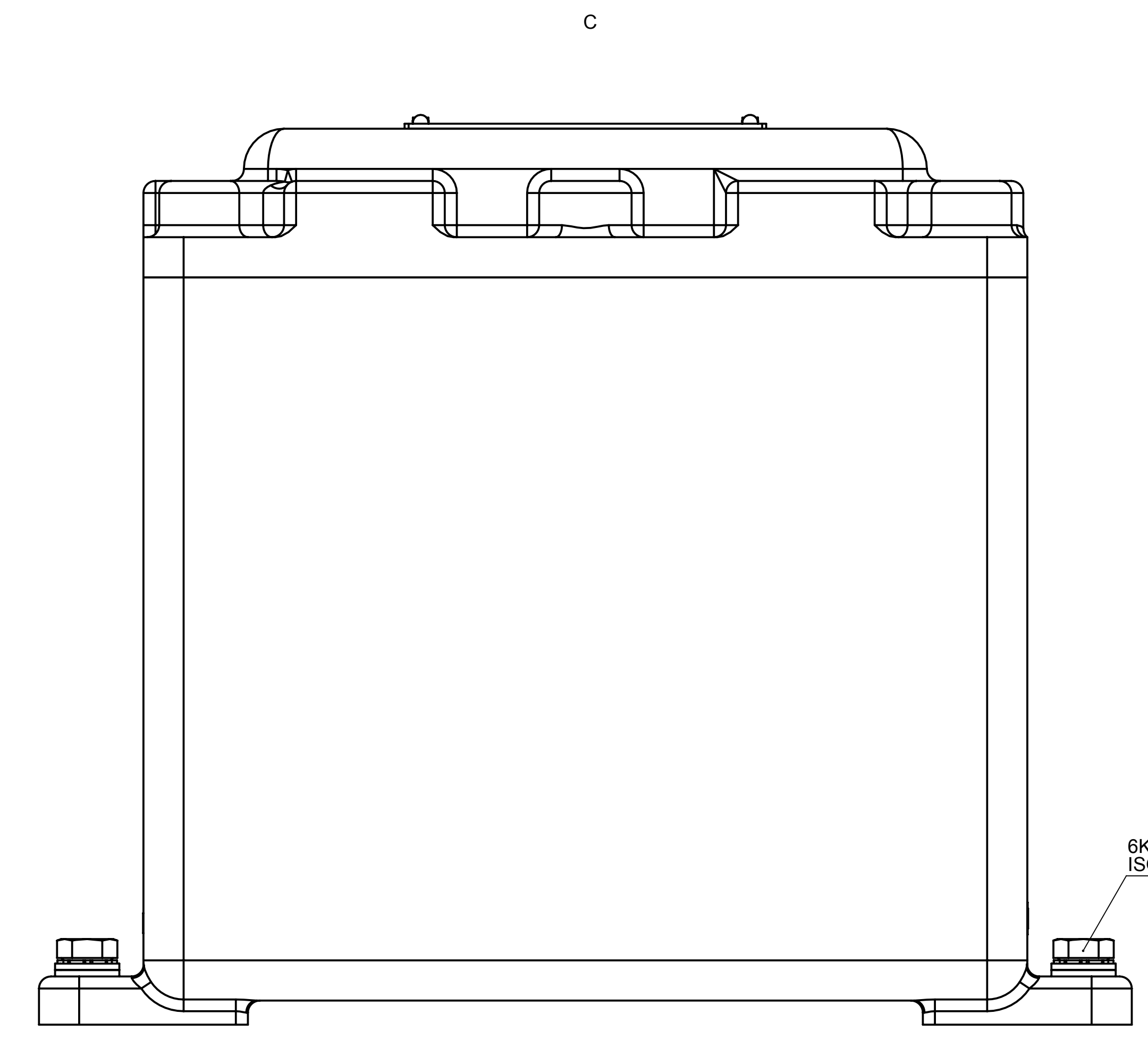


All rights reserved. No copies
 permitted without written consent
 of the manufacturer. The manufacturer
 is not liable for damages of any kind
 resulting from the use of the
 information in this document.

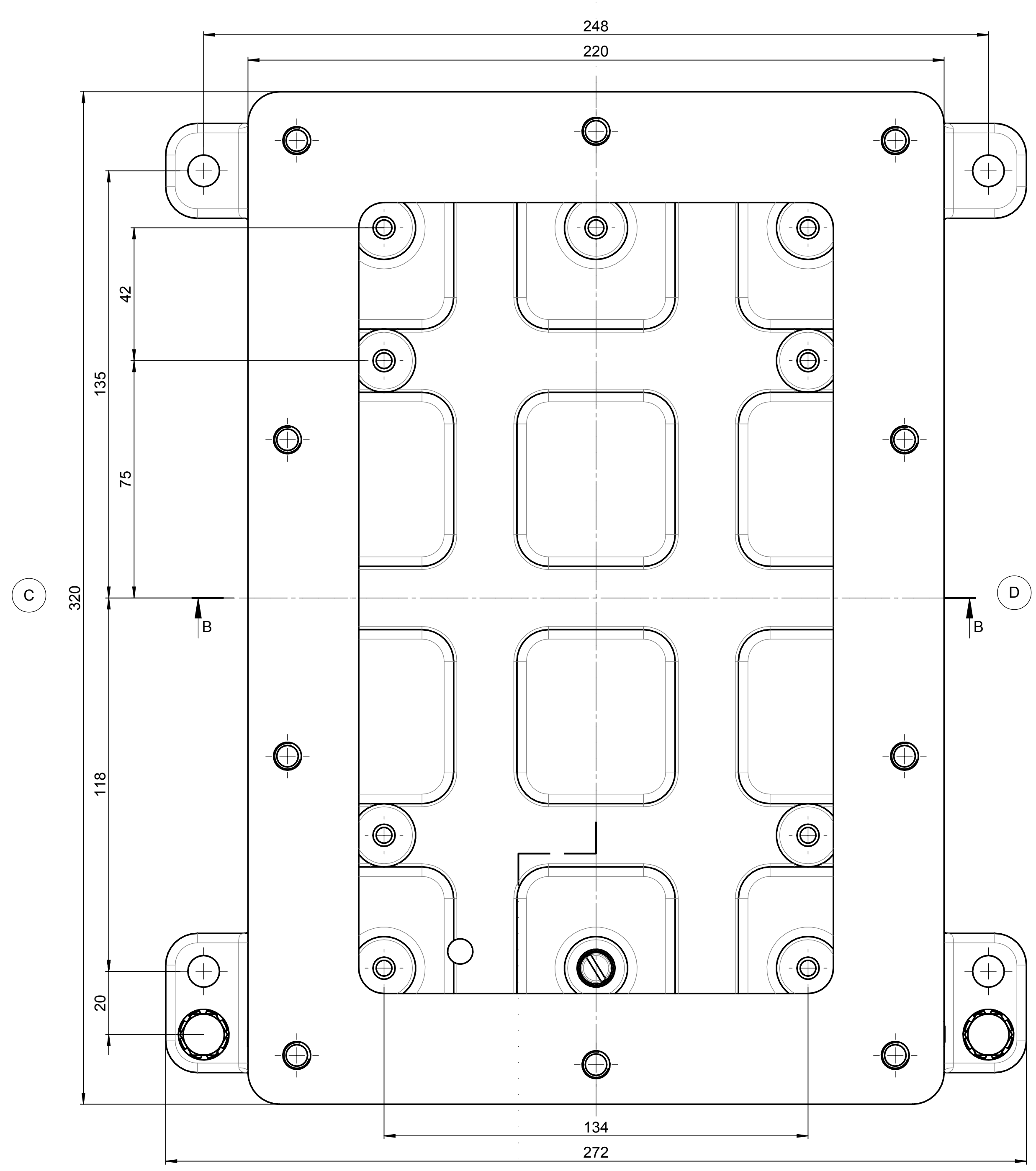


Deckel / Lid

A A

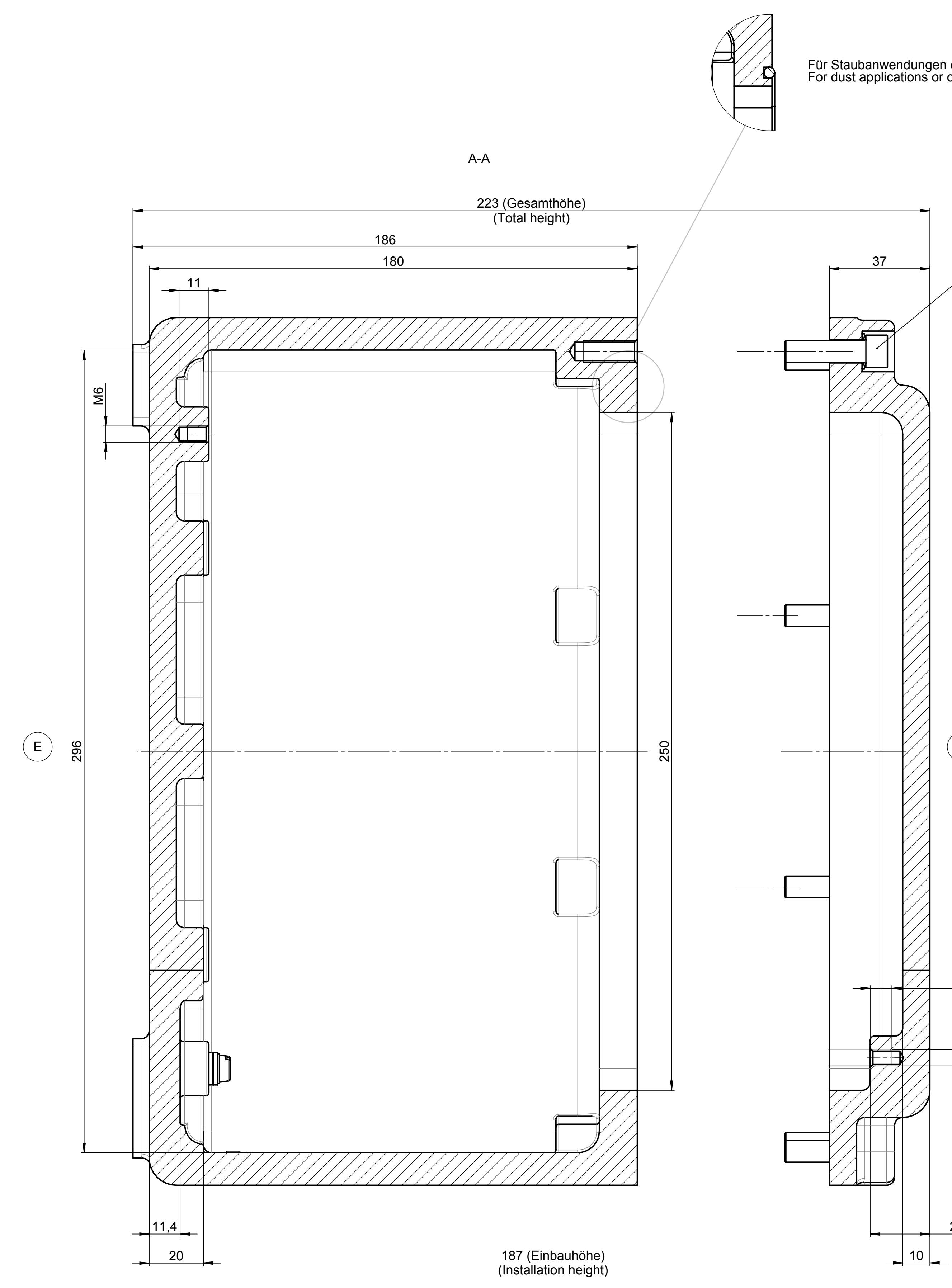


6KT-Schraube / Hex Head Screw
ISO 4017 - M8x15 (2x)



Unterteil / Base

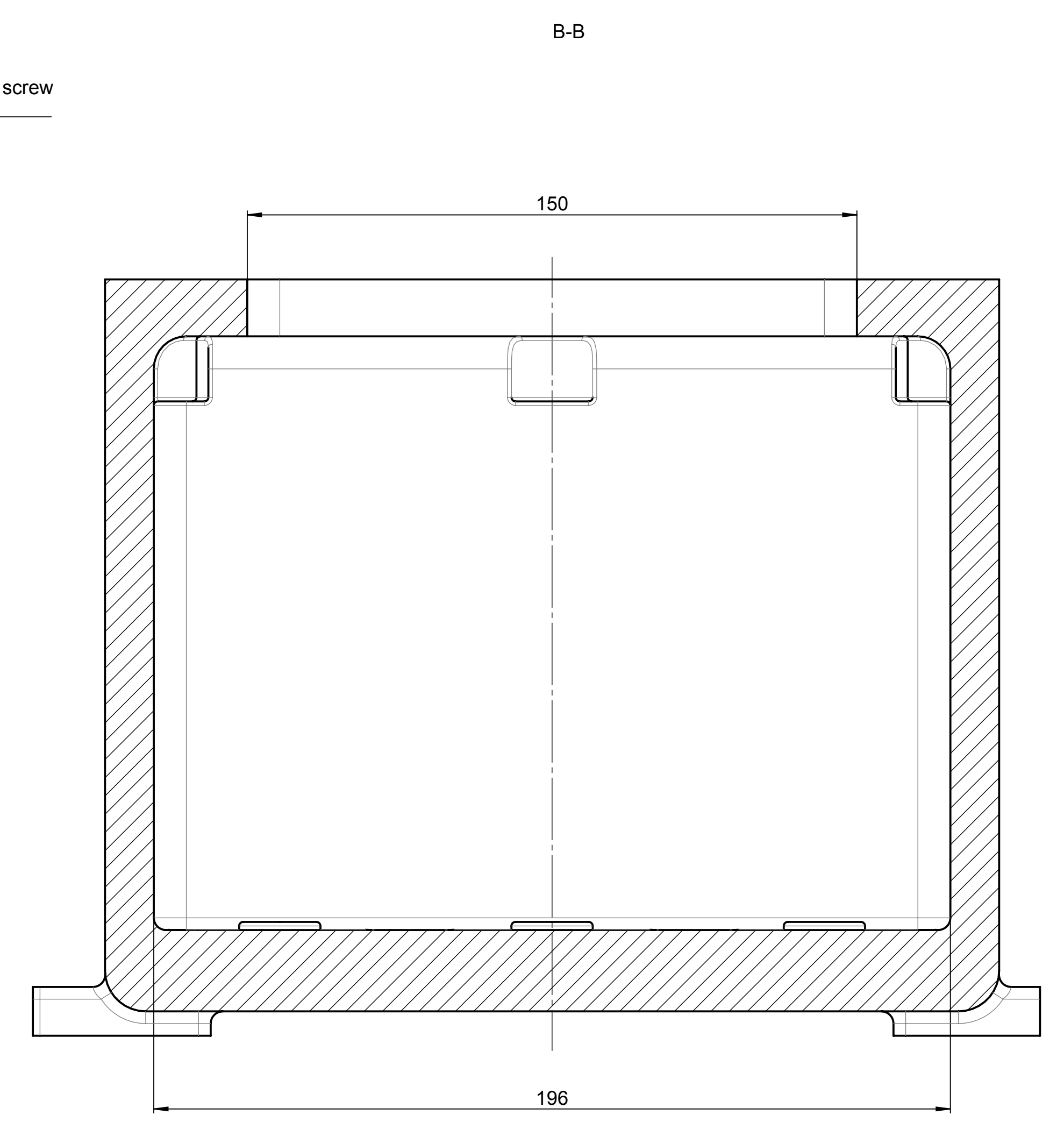
A B
C



Für Staubanwendungen oder auf Anfrage
For dust applications or of request

Zylinderschraube / Cylinder screw
DIN 912 - M8x30 (10x)

F Oben / Top



B-B

Index	Änderung/Modification	Skizze/Drawn	Datum/Date	Name	Material	Weight
		ROSE	08.02.17	M.Lei.	ISO 8062-3 - DCTG6	12kg
Scale	1:1	Benennung/Description	checked	16.02.17	J.Pla.	
DIN A0		Ex d Gehäuse IJB 01				
		Ex d enclosure IJB 01				
						KAT40.104010